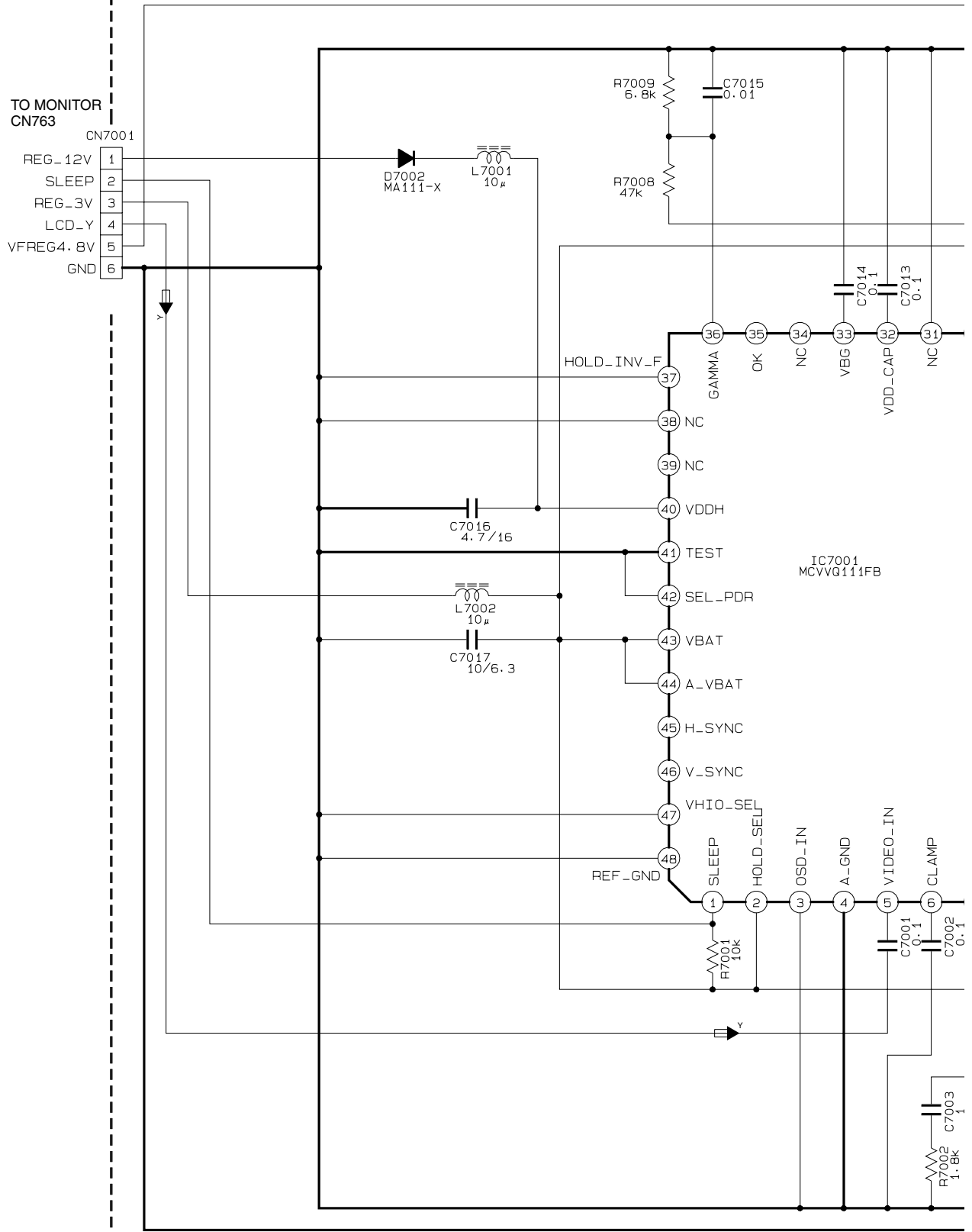


SECTION 4 CHARTS AND DIAGRAMS

4.1 B/W VF SCHEMATIC DIAGRAM [GR-DVL311ED, 411ED]

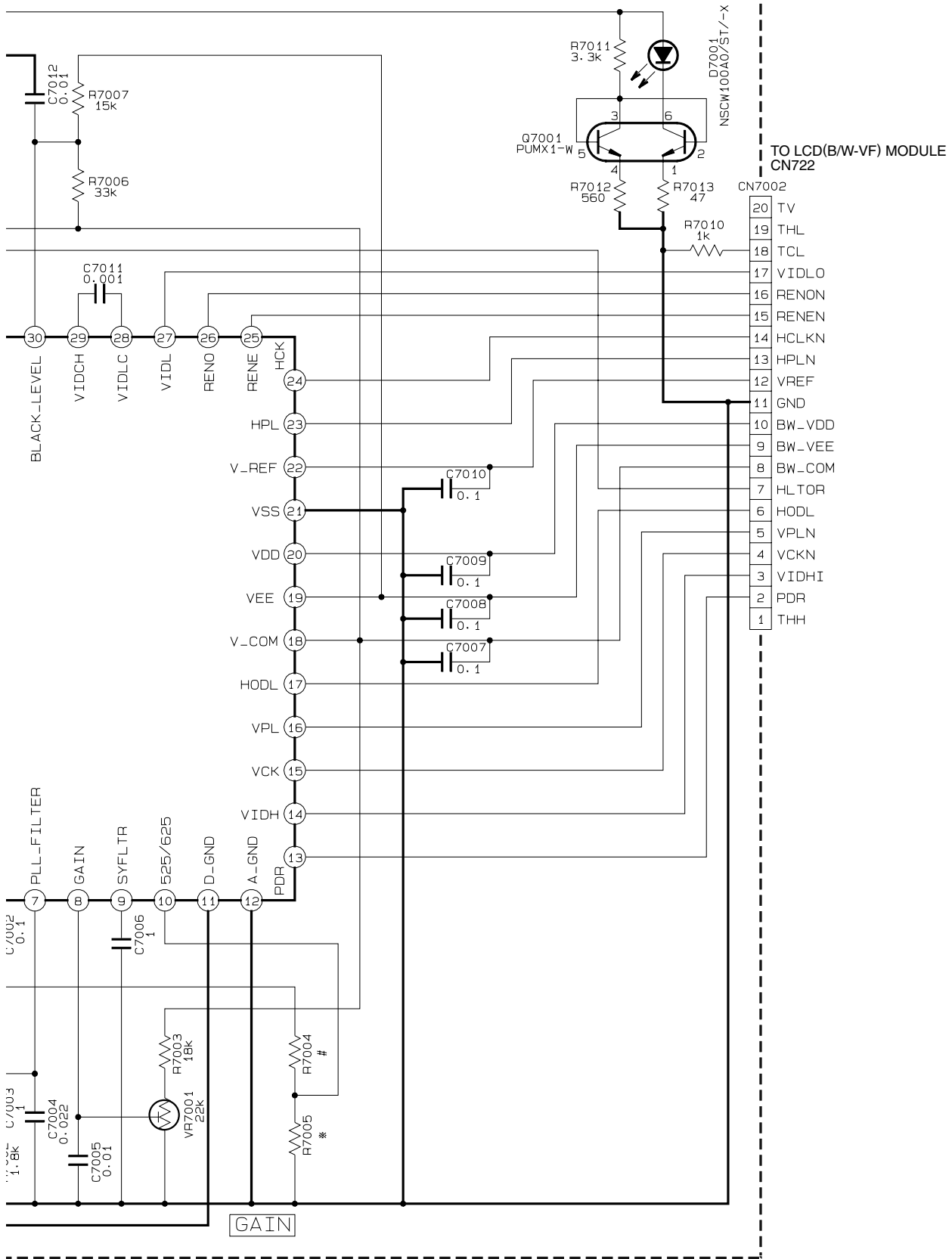
0 8 B/W VF



Difference table ※ NO WEAR

| | |
|------|-------|
| | R7004 |
| NTSC | * |
| PAL | 0 |

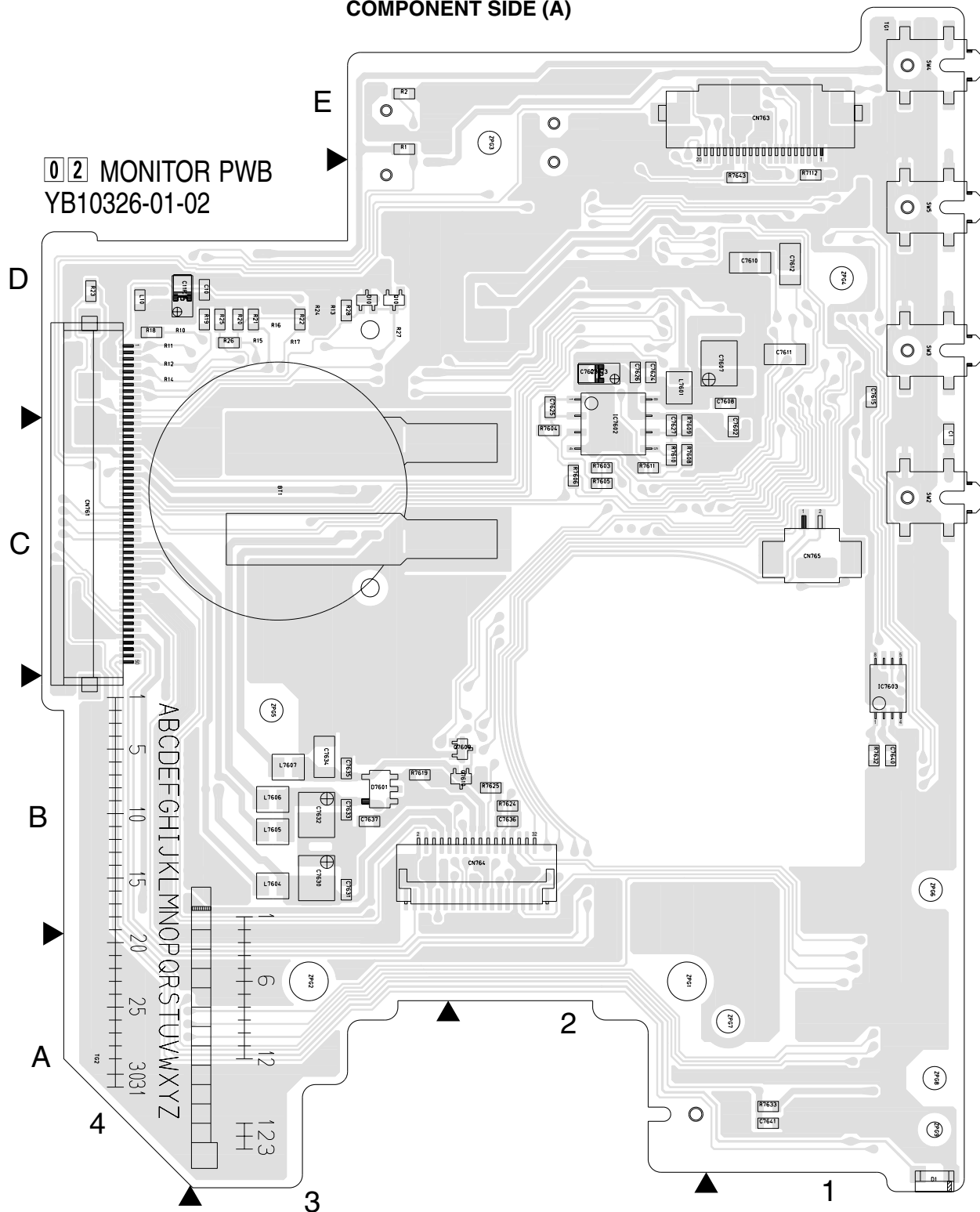
- NOTE 1. How to find the page showing the continuative schematic diagram.
 Example) TO SYSCON: Refer to the GR-DVL150EG service manual (NO. 86613B).
 TO SYSCON: Refer to this service manual.
2. The mark ★ means modified points.
3. When ordering parts, be sure to order according to the Part Number indicated in the Parts List.



y30149001a_rev0

COMPONENT SIDE (A)

02 MONITOR PWB
YB10326-01-02



COMPONENT PARTS LOCATION GUIDE <MONITOR/YB10326-01-02>

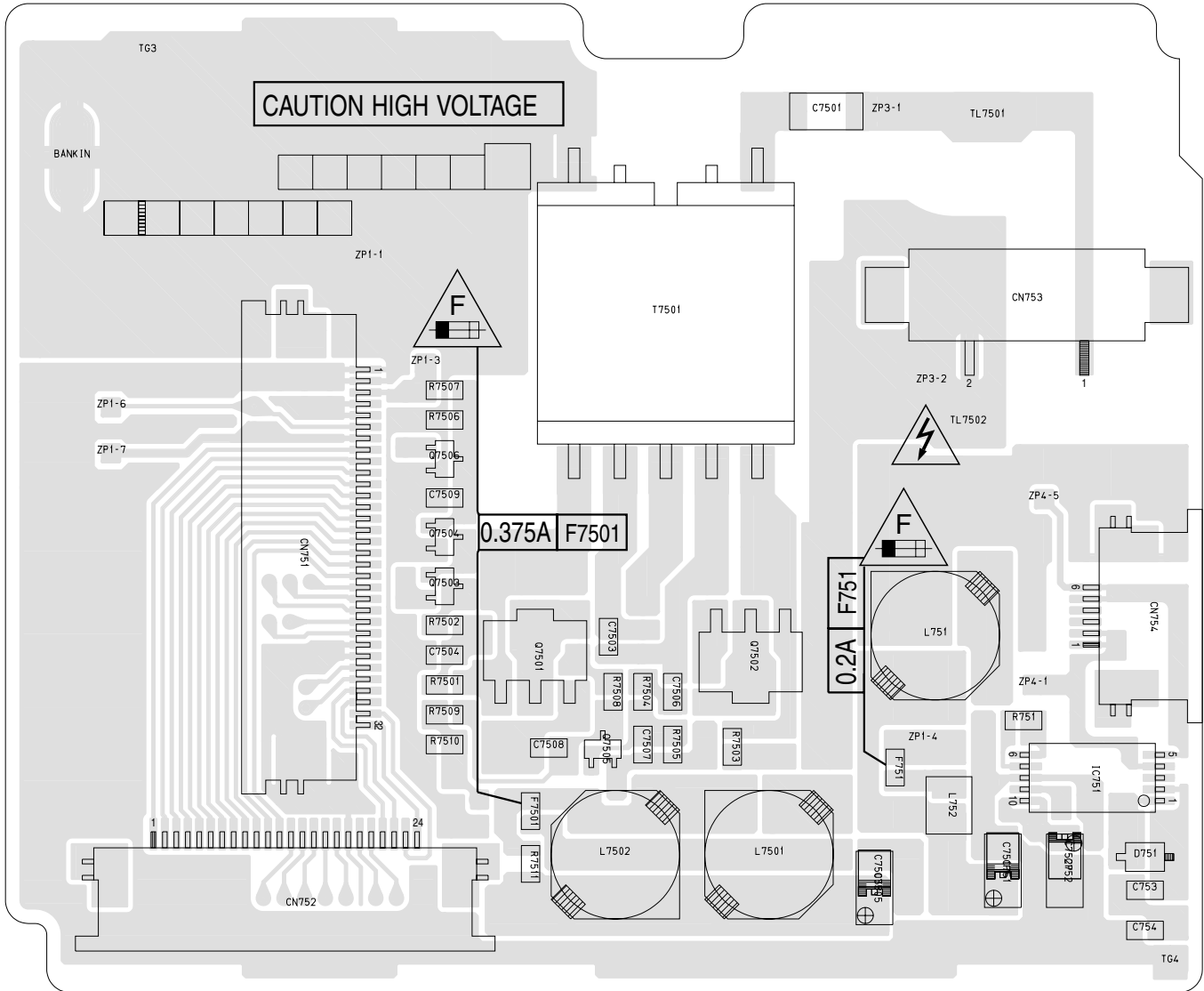
(2/2)

| REF.NO. | LOCATION | REF.NO. | LOCATION | REF.NO. | LOCATION | REF.NO. | LOCATION | REF.NO. | LOCATION | REF.NO. | LOCATION | REF.NO. | LOCATION | REF.NO. | LOCATION |
|---------|----------|---------|----------|---------|----------|---------|----------|---------|----------|---------|----------|---------|----------|---------|----------|
| R7606 | A C 2C | R7622 | B C 3B | R7640 | B C 1D | C7639P | B C 1D | ZP1-5 | B C 4D | ZP6-9 | B C 4D | ZP1-26 | B C 2D | ZP3-20 | B C 2D |
| R7608 | A C 2C | R7623 | B C 3B | R7641 | B C 1E | SW1 | B C 3E | ZP1-6 | B C 4D | ZP1-11 | B C 4C | ZP1-27 | B C 4A | ZP4-18 | B C 3B |
| R7609 | A C 2C | R7624 | A C 2B | R7642 | B C 1E | SW2 | A C 1C | ZP1-7 | B C 4C | ZP1-12 | B C 2C | ZP1-28 | B C 4A | ZP4-23 | B C 2B |
| R7610 | A C 2C | R7625 | A C 2B | R7643 | A C 1D | SW3 | A C 1D | ZP1-8 | B C 4D | ZP1-13 | B C 2D | ZP1-29 | B C 2C | ZP4-24 | B C 2B |
| R7611 | A C 2C | R7626 | B C 1D | R7644 | B C 1E | SW4 | A C 1E | ZP3-3 | B C 2E | ZP1-14 | B C 4A | ZP1-30 | B C 4A | ZP4-25 | B C 1C |
| R7612 | B C 3B | R7627 | B C 1D | R7645 | B C 1D | SW5 | A C 1D | ZP4-9 | B C 3B | ZP1-17 | B C 1C | ZP1-31 | B C 4A | ZP6-10 | B C 3D |
| R7613 | B C 3B | R7628 | B C 1D | R7646 | B C 1D | SW6 | B C 2E | ZP6-1 | B C 4D | ZP1-18 | B C 3D | ZP1-32 | B C 3B | ZP7601 | B C 1D |
| R7614 | B C 3B | R7629 | B C 1D | | | | B C 2A | ZP6-2 | B C 4D | ZP1-19 | B C 3D | ZP1-33 | B C 3B | ZP7602 | B C 2B |
| R7615 | B C 3B | R7630 | B C 1E | OTHER | | SW7601 | A C 4C | ZP6-3 | B C 3C | ZP1-20 | B C 3C | ZP1-38 | B C 4A | ZPG1 | A D 2A |
| R7616 | B C 3B | R7631 | A C 3B | BT1 | A C 3C | TM03 | A C 4E | ZP6-4 | B C 4C | ZP1-21 | B C 3B | ZP1-46 | B C 3B | ZPG2 | A D 3A |
| R7617 | B C 3B | R7632 | A C 1B | C11P | A C 4D | TM3 | A C 4E | ZP6-5 | B C 4C | ZP1-22 | B C 2D | ZP1-49 | B C 1A | ZPG3 | A D 2E |
| R7618 | B C 3B | R7633 | A C 1A | C7103P | B C 2D | TM3 | B C 4D | ZP6-6 | B C 4C | ZP1-23 | B C 2D | ZP3-17 | B C 1E | ZPG4 | A D 1D |
| R7619 | A C 3B | R7634 | B C 2C | C7623P | A C 2D | ZP1-2 | B C 4D | ZP6-7 | B C 4C | ZP1-24 | B C 2D | ZP3-18 | B C 2D | ZPG5 | A D 3B |
| R7621 | B C 3B | R7635 | B C 2C | C7629P | B C 3B | ZP1-4 | B C 3C | ZP6-8 | B C 3C | ZP1-25 | B C 2C | ZP3-19 | B C 2E | ZPG6 | A D 1B |

4.3 LCD BL CIRCUIT BOARD

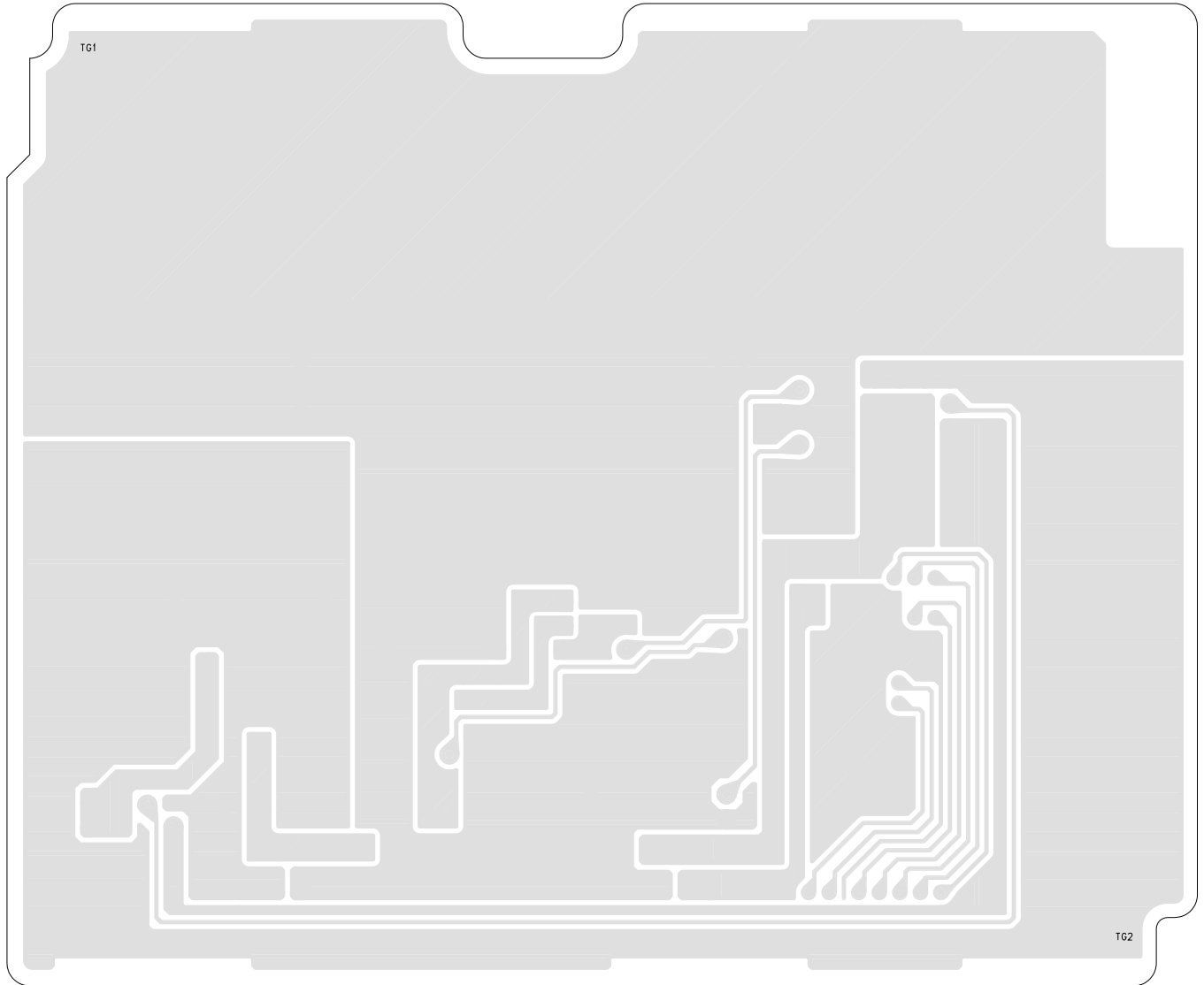
FOIL SIDE (B)

03 LCD BL PWB
YB10325-01-03



COMPONENT SIDE (A)

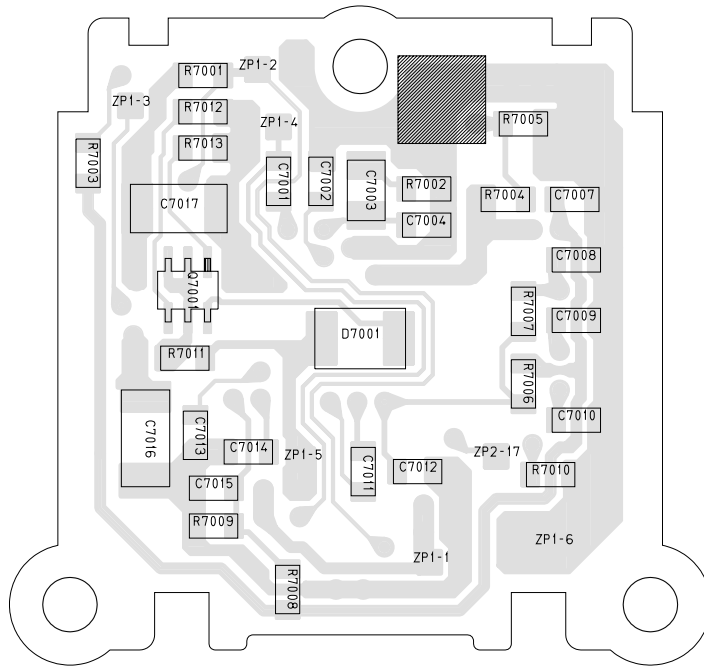
03 LCD BL PWB
YB10325-01-03



4.4 B/W VF CIRCUIT BOARD [GR-DVL311ED, 411ED]

FOIL SIDE (B)

08 B/W VF PWB
YB20910



COMPONENT SIDE (A)

08 B/W VF PWB
YB20910

